

Table v.4

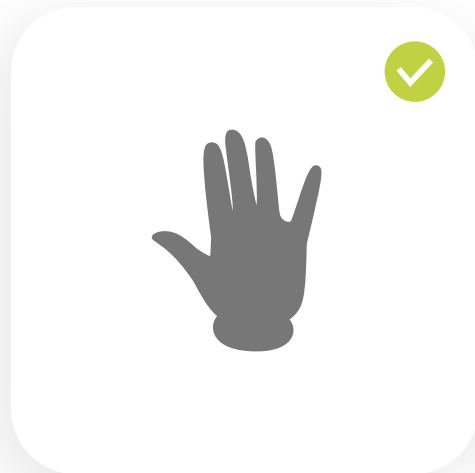
Assembly instructions



TM

Recommendations before starting

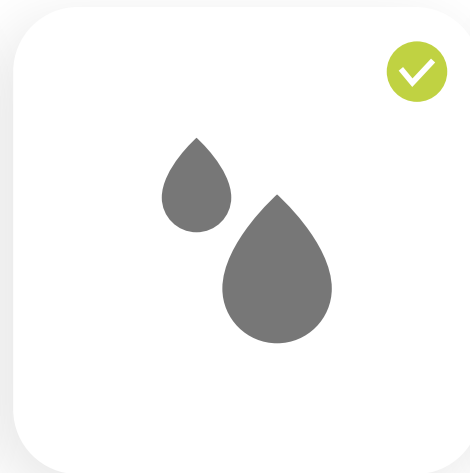
Always **wear gloves**
when handling
Re-board



Work in a healthy
environment with
clean floor, tables



Keep pieces **away**
from **moisture and**
water

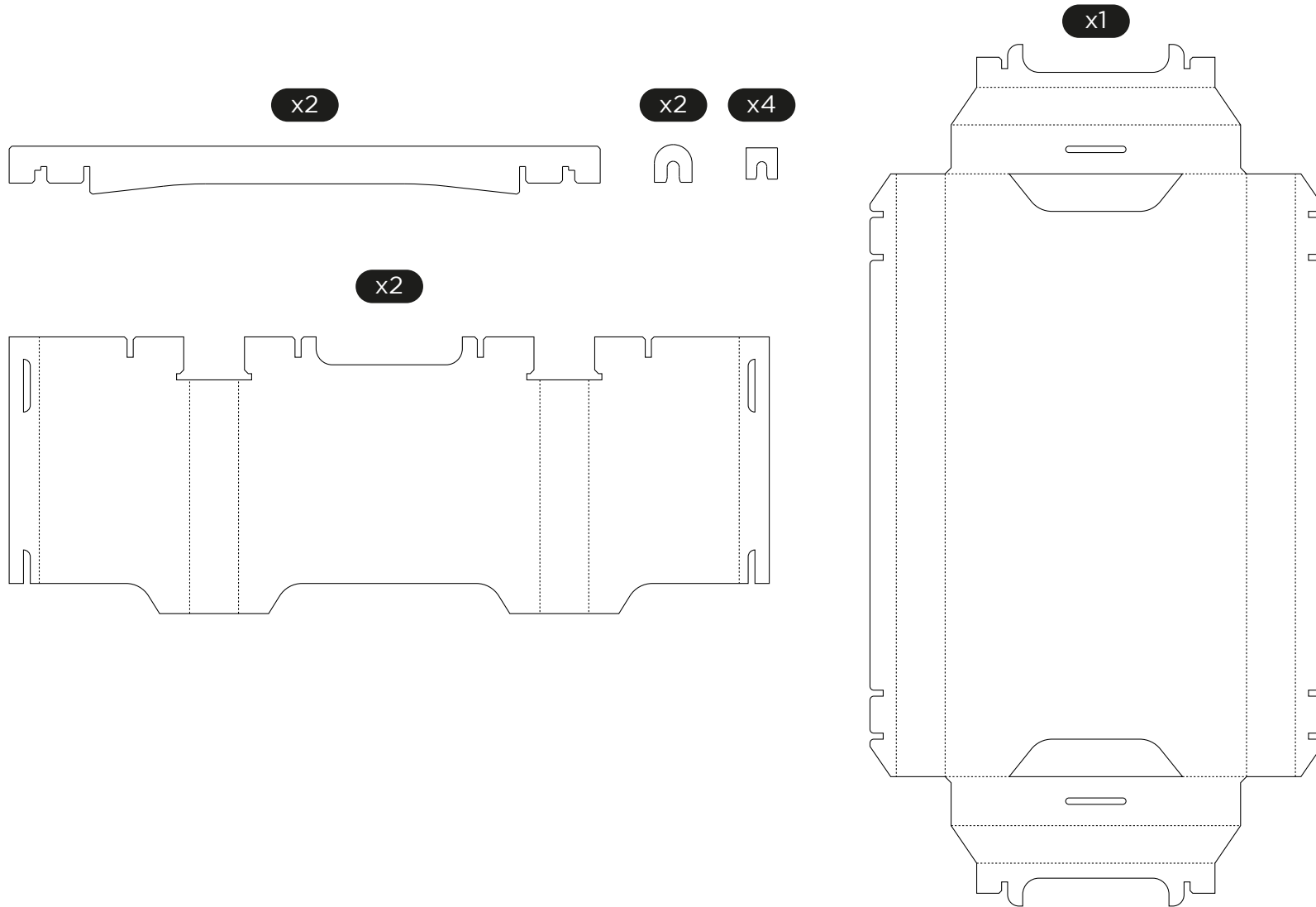


Be careful to **fold**
pieces the **right way**
round



Step 1

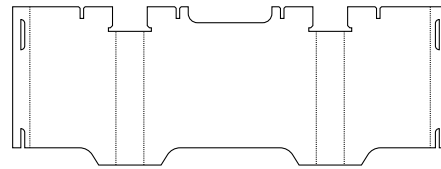
Gather these pieces.
Ensure you have all the pieces.



Step 2

Assemble the feet's table.
Repeat the operation twice.

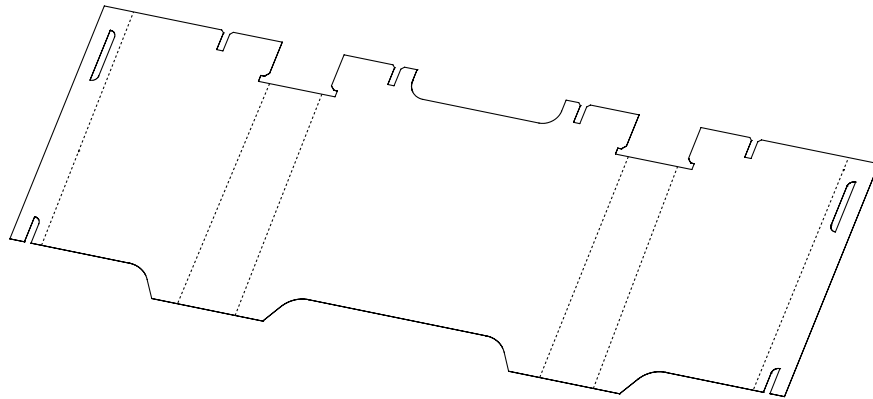
Pieces needed :



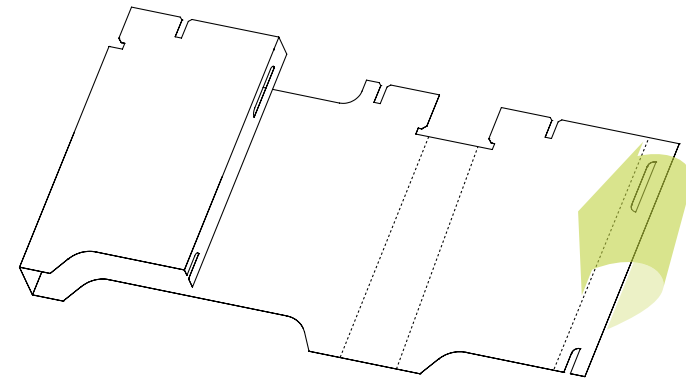
foot n°1



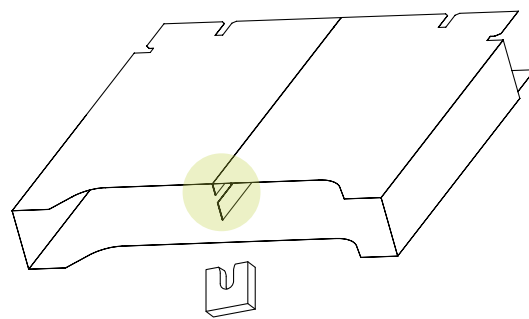
locks



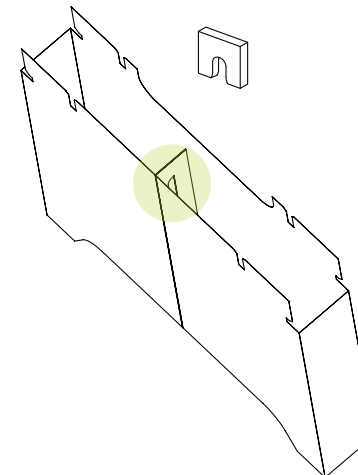
- 1 Fold the volume onto itself by folding down each side.



- 2 Maintain shape fold and fold down the second side.



- 3 Maintain the shape and lock it on the bottom. Do not force it.

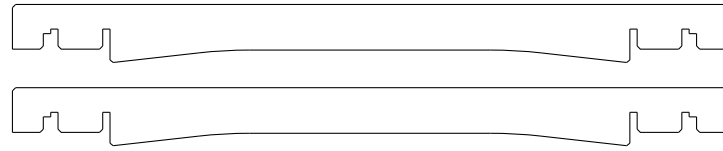


- 4 Put the shape up and insert a lock on the top. Do not force it.

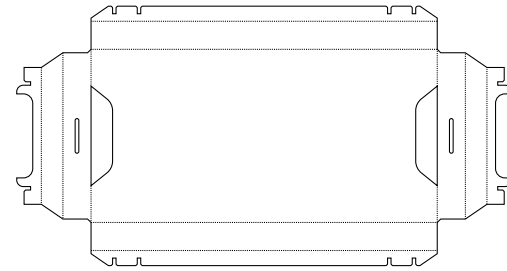
Table v.4

Step 3

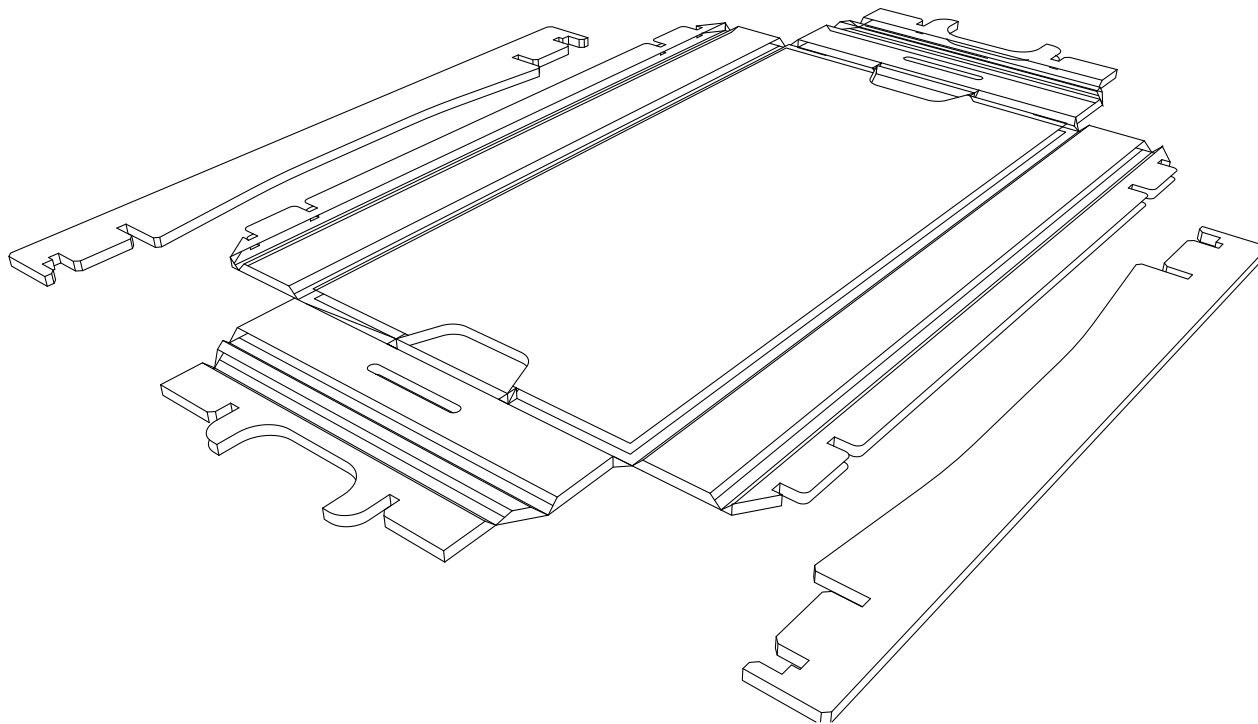
Assemble the beams and the tabletop :



link pieces



tabletop



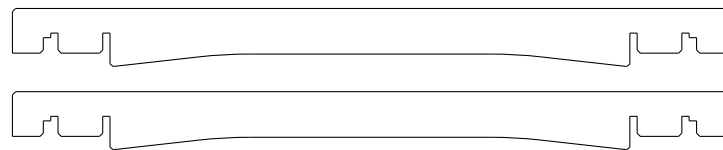
Place the tabletop on the floor. The recto part should be against the floor.

Be careful to protect the pieces with a clean floor.

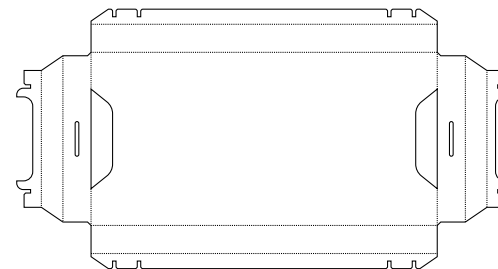
Then be ready to place the beams on the tabletop.

Step 4

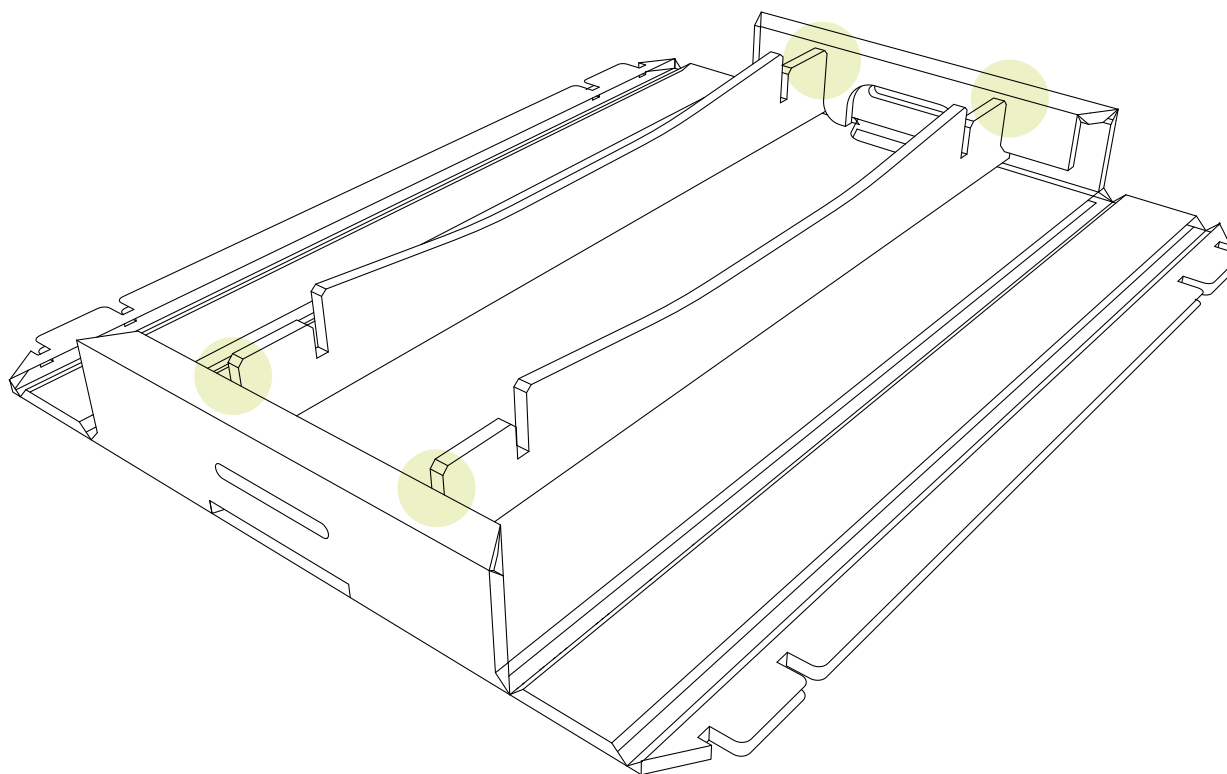
Fold the first parts of the tabletop :



link pieces



tabletop

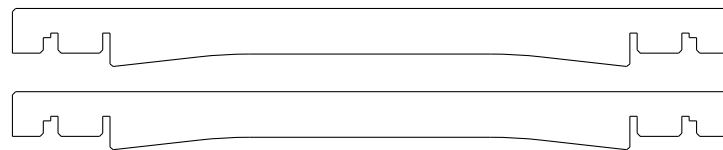


Place the beams and fold the 2 parts of the tabletop on it.

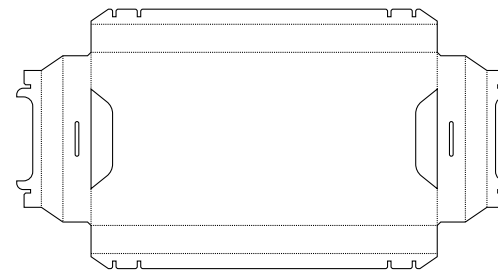
Do not force it.

Step 5

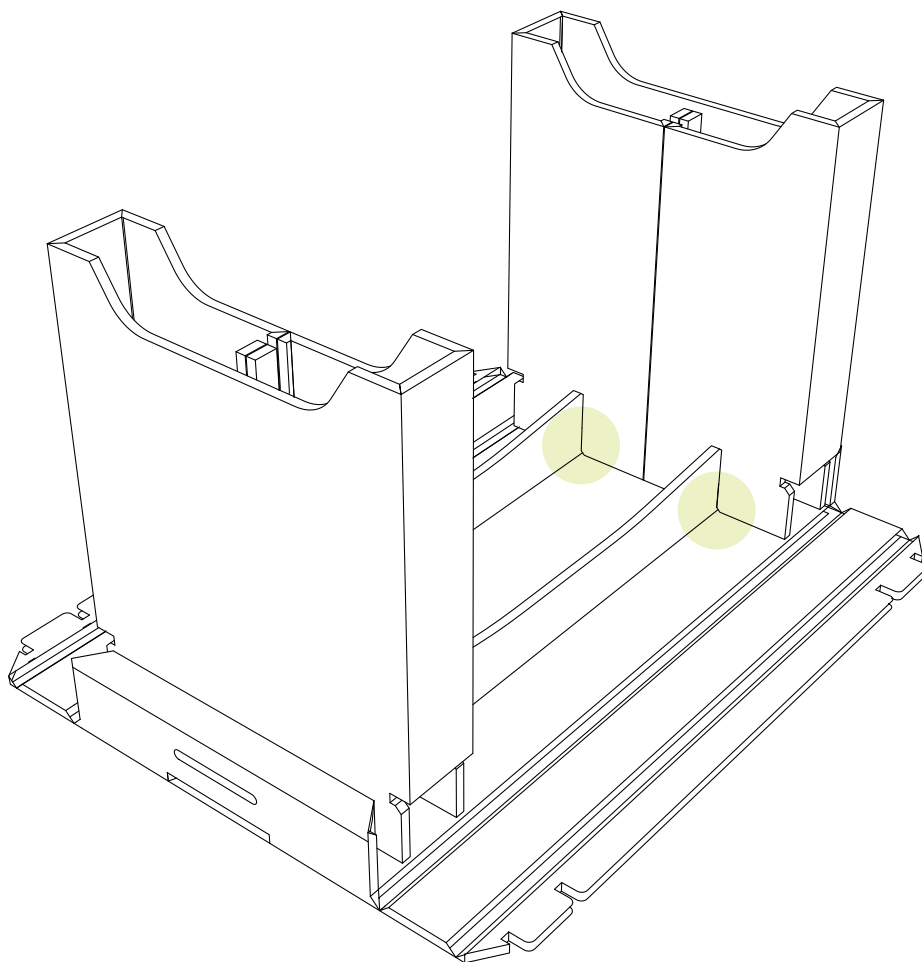
Insert the legs on the beams :



link pieces



tabletop



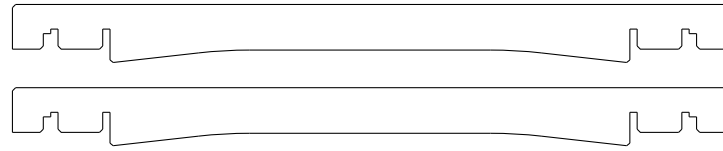
Now, turn the legs 180° and insert them carefully on the beams.

Do not force it.

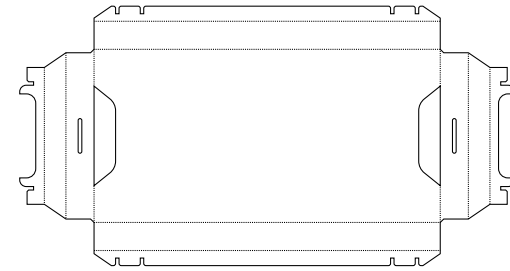
Table v.4

Step 6

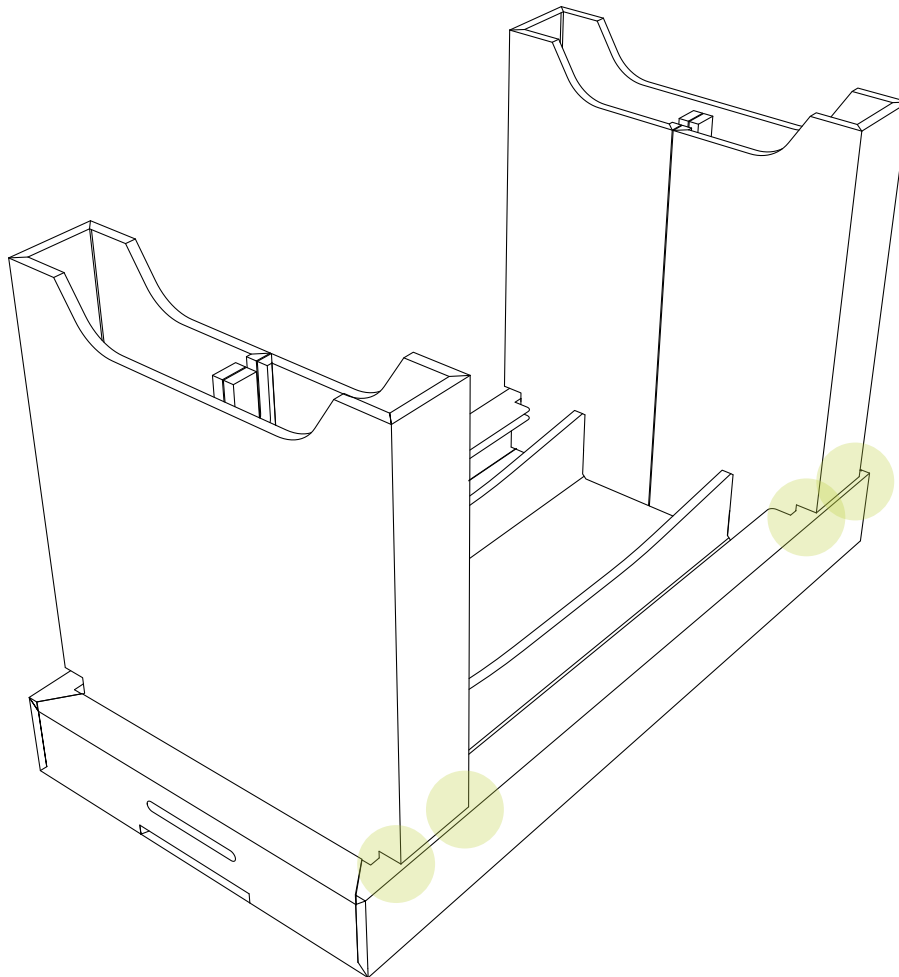
Fold the last parts of the tabletop on the legs :



link pieces



tabletop



Fold the last tabletop parts on the legs.

Do not force it.

Then rotate the table to put it in the correct position.