

Table v.1

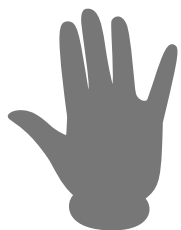
Assembly instructions



TM

Recommendations before starting

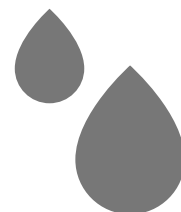
Always **wear gloves**
when handling
Re-board



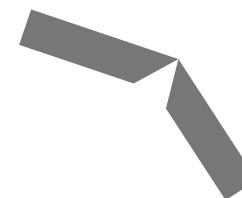
Work in a healthy
environment with
clean floor, tables



Keep pieces **away**
from **moisture and**
water

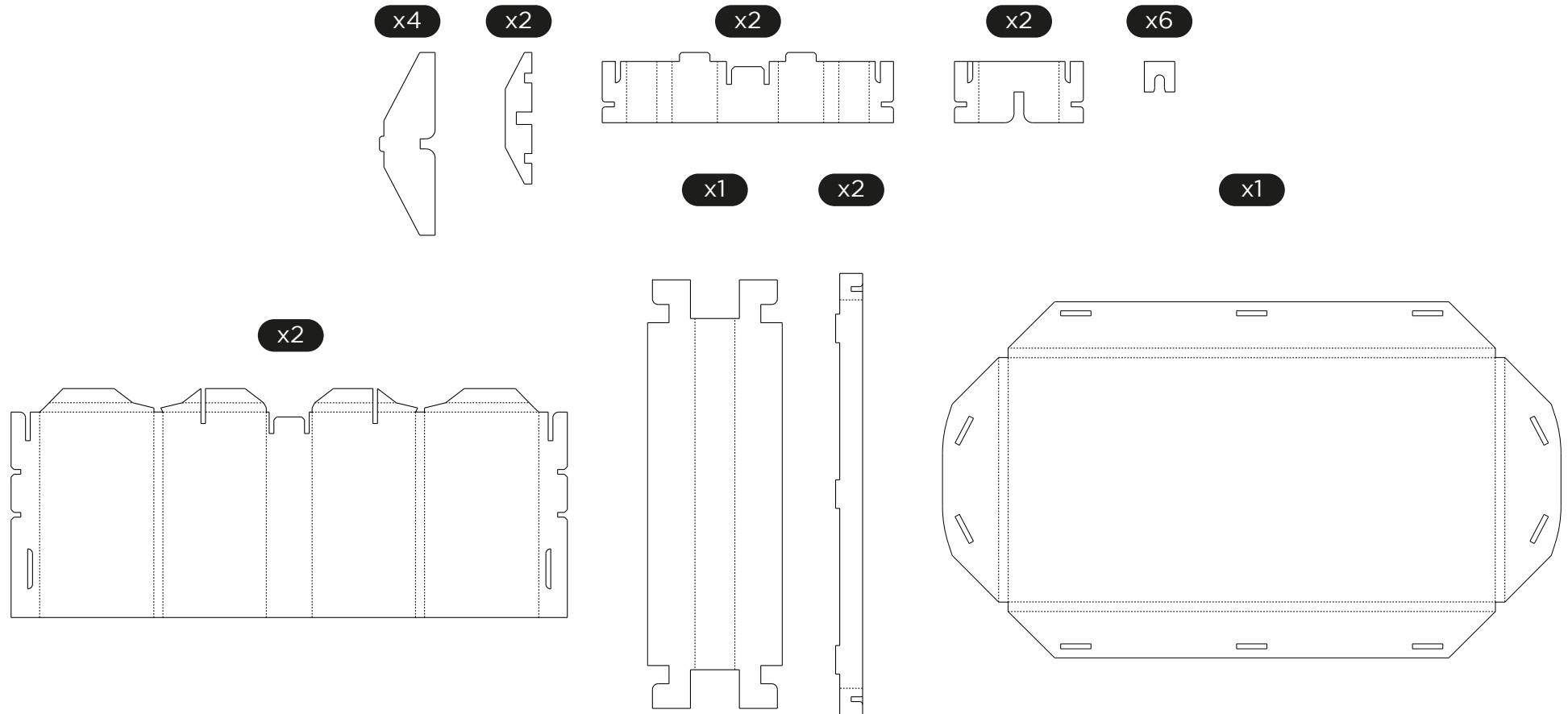


Be careful to **fold**
pieces the **right way**
round



Step 1

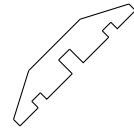
Gather these pieces.
Ensure you have all the pieces.



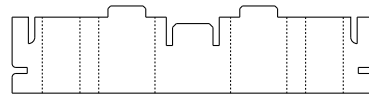
Step 2

Assemble the first volume.
Repeat the operation twice.

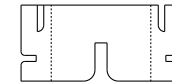
Pieces needed :



piece A



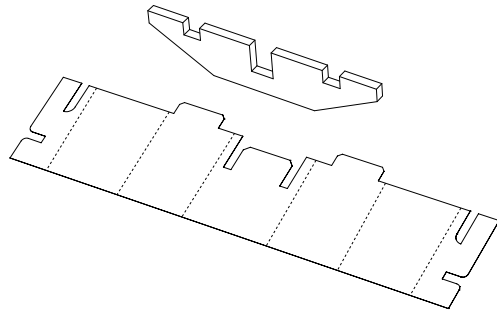
piece A



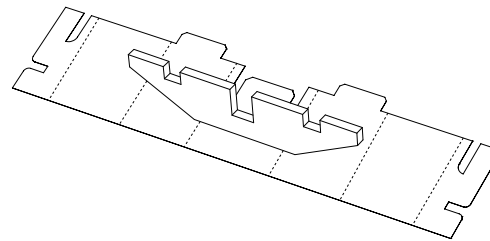
piece C



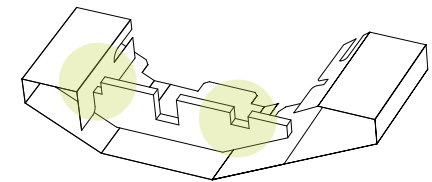
locks



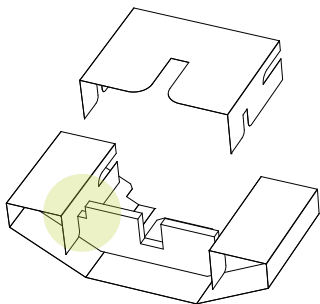
- 1 Place the piece A on the the piece B in this manner.



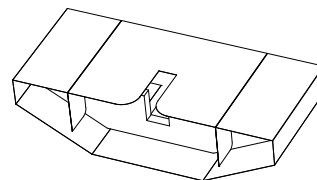
- 2 Place the piece A on the the piece B in this manner.



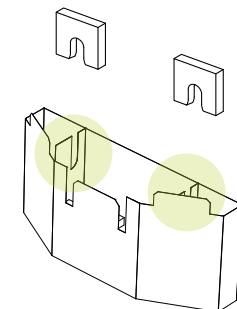
- 3 Fold the piece B on the the piece A. Insert the piece.



- 4 Place the piece C on the the piece A in this manner.



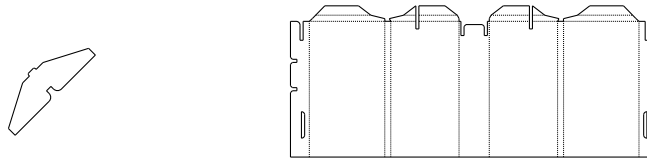
- 5 Place the piece A on the the piece B in this manner



- 6 Adjust the volume and lock it. Do not force it.

Step 3

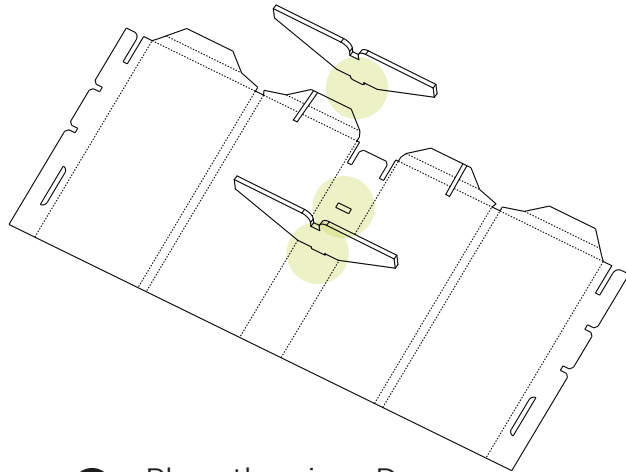
Assemble the feet.
Repeat the operation twice.
Pieces needed :



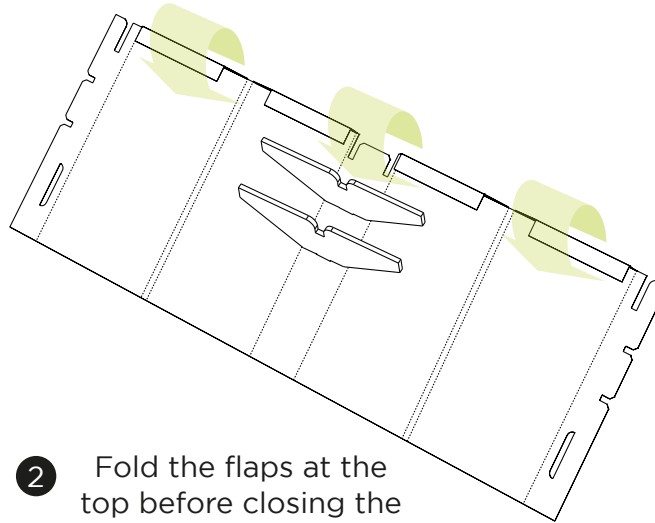
piece D

piece E

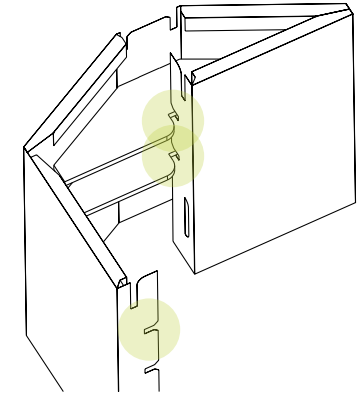
locks



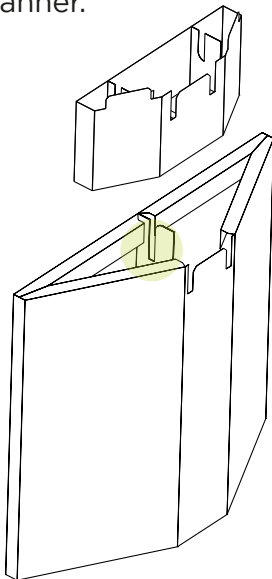
1 Place the piece D on the the piece E in this manner.



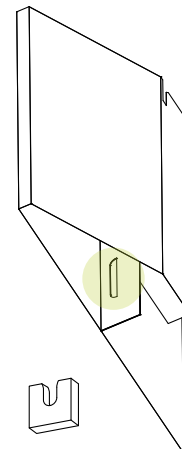
2 Fold the flaps at the top before closing the shape onto itself.



3 Close the shape onto itself. Insert the last part in piece D.



4 Adjust the volume and lock it on the top with the first volume (Step 2). Do not force it.

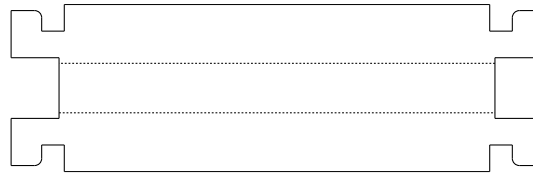


5 Adjust the volume and lock it on the bottom. Do not force it.

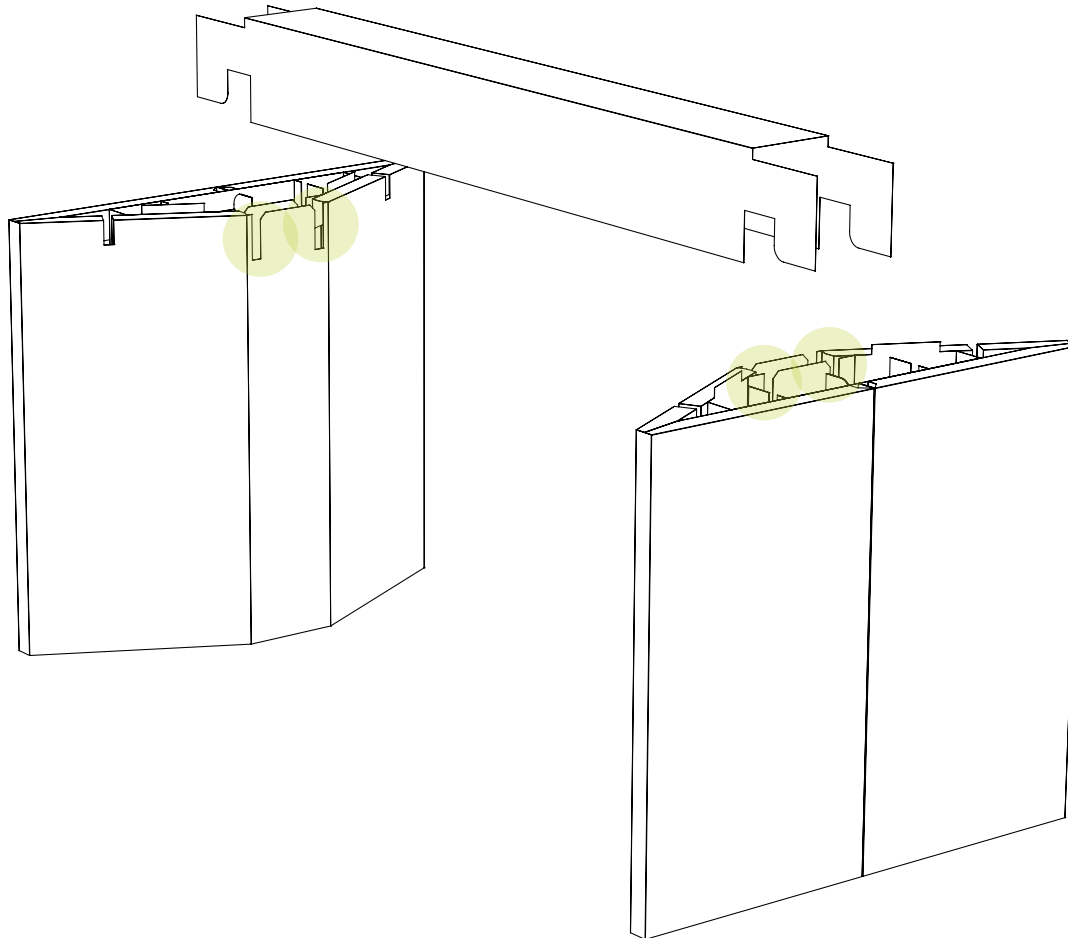
Table v.1

Step 4

Link both feet together.
Piece needed :



link piece



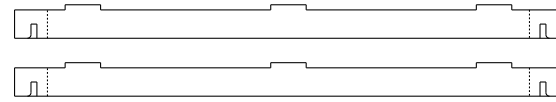
First, position both feet opposite each other, taking into account the length of the link piece.

Then insert gently the link piece.
Stay as parallel to the ground as possible.

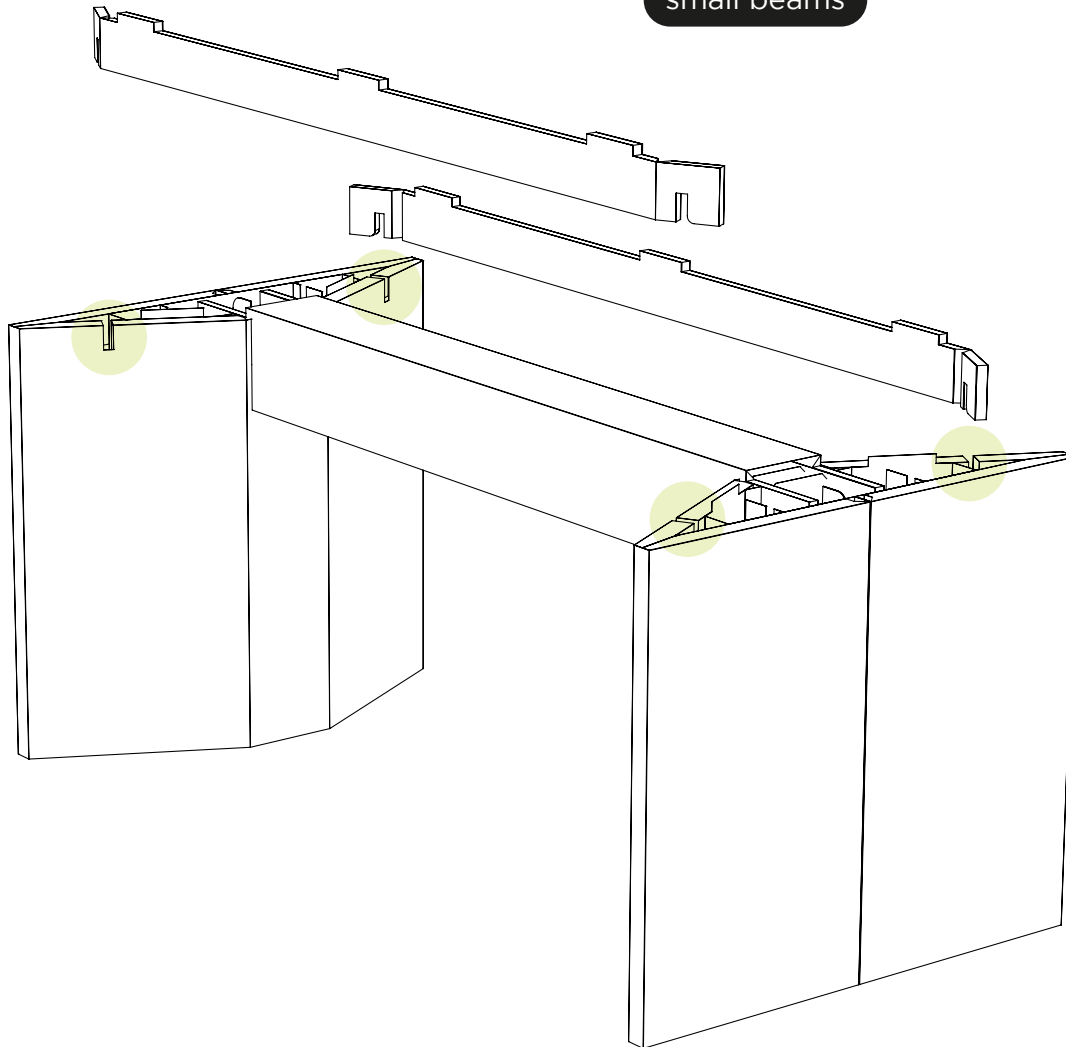
Step 5

Place the last part of the tabletop.

Piece needed :



small beams



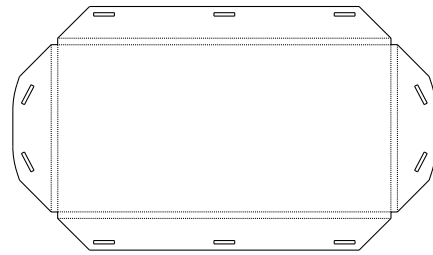
Insert the 2 beams carefully into the holes of the legs.

Insert gently and stay as parallel to the ground as possible.

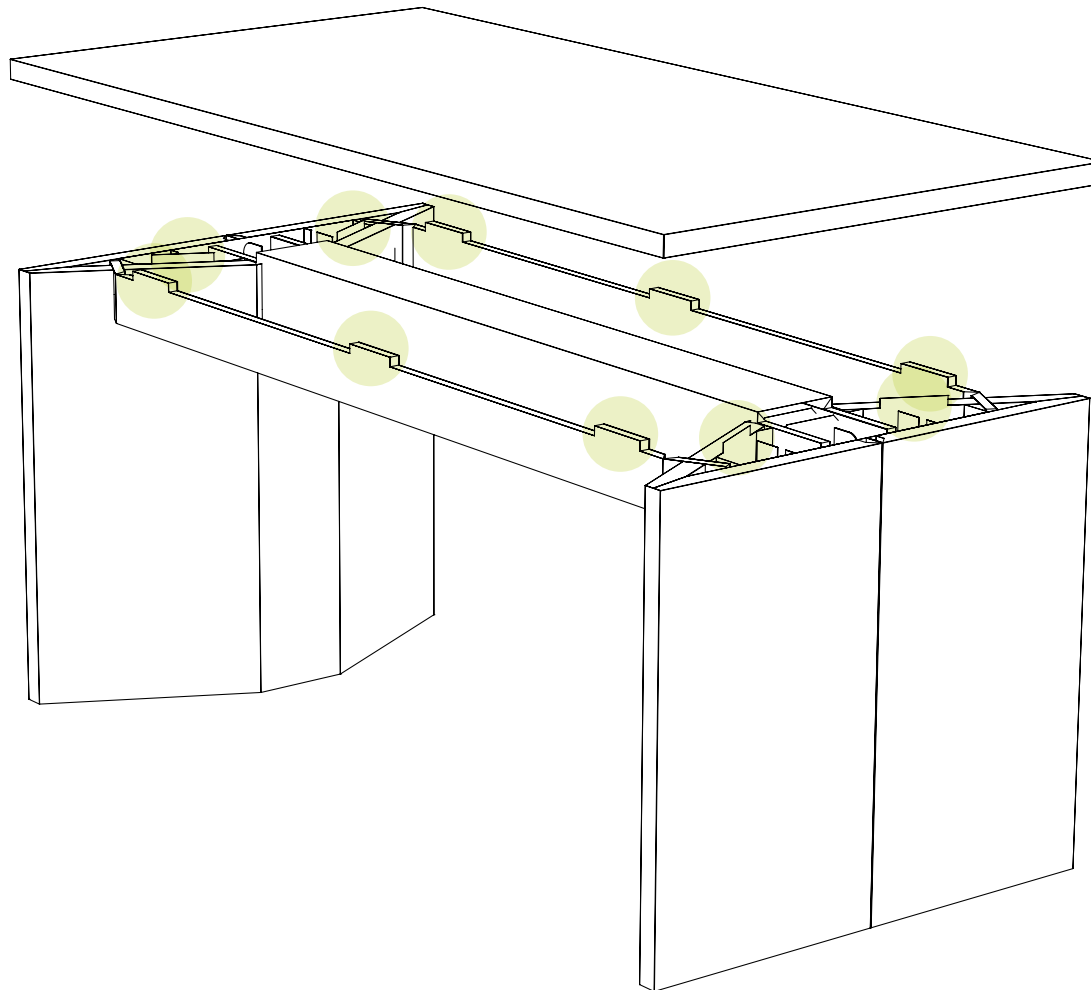
Step 6

Place the last part of the tabletop.

Piece needed :



tabletop



Fold the tabletop piece onto itself. Maintain the piece and place it on by respecting the inserts.

Table v.1